

# Technical data sheet



## Product features

### Pizza oven snack double tier 2x d=35 cm

|              |                 |          |
|--------------|-----------------|----------|
| <b>Model</b> | <b>SAP Code</b> | 00015040 |
|--------------|-----------------|----------|



- Pizza capacity [cm]: 2x 35
- Stoneplates: Lower
- Stone plates thickness [mm]: 14
- Material: AISI 430
- Control type: Mechanical
- Type of handle: Short, plastic
- Independent heating zones: Separate control for upper and lower heating elements
- Interior lighting: Yes

|                            |                    |  |       |
|----------------------------|--------------------|--|-------|
| <b>SAP Code</b>            | 00015040           | <b>Minimum device temperature [°C]</b> | 50    |
| <b>Net Width [mm]</b>      | 577                | <b>Maximum device temperature [°C]</b> | 400   |
| <b>Net Depth [mm]</b>      | 543                | <b>Width of internal part [mm]</b>     | 410   |
| <b>Net Height [mm]</b>     | 477                | <b>Depth of internal part [mm]</b>     | 370   |
| <b>Net Weight [kg]</b>     | 42.00              | <b>Height of internal part [mm]</b>    | 90    |
| <b>Power electric [kW]</b> | 3.400              | <b>Pizza capacity [cm]</b>             | 2x 35 |
| <b>Loading</b>             | 230 V / 1N - 50 Hz |  |       |

# Technical data sheet



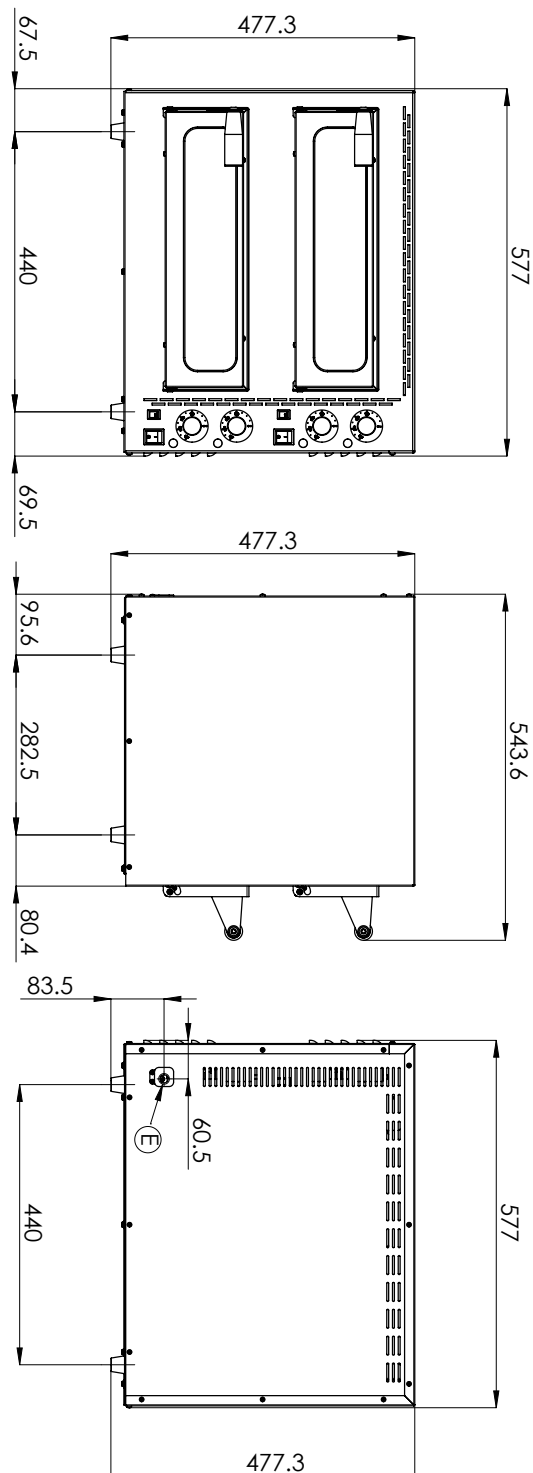
Technical drawing

Pizza oven snack double tier 2x d=35 cm

Model

SAP Code

00015040



# Technical data sheet



## Technical parameters

### Pizza oven snack double tier 2x d=35 cm

**Model**

**SAP Code**

00015040

**1. SAP Code:**

00015040

**2. Net Width [mm]:**

577

**3. Net Depth [mm]:**

543

**4. Net Height [mm]:**

477

**5. Net Weight [kg]:**

42.00

**6. Gross Width [mm]:**

620

**7. Gross depth [mm]:**

560

**8. Gross Height [mm]:**

510

**9. Gross Weight [kg]:**

46.00

**10. Exterior color of the device:**

Stainless steel

**11. Material:**

AISI 430

**12. Device type:**

Electric unit

**13. Power electric [kW]:**

3.400

**14. Loading:**

230 V / 1N - 50 Hz

**15. Control type:**

Mechanical

**16. Width of internal part [mm]:**

410

**17. Depth of internal part [mm]:**

370

**18. Height of internal part [mm]:**

90

**19. Minimum device temperature [°C]:**

50

**20. Maximum device temperature [°C]:**

400

**21. Pizza capacity [cm]:**

2x 35

**22. Indicators:**

operation and warm-up

**23. Type of handle:**

Short, plastic

**24. Stoneplates:**

Lower

**25. Stone plates thickness [mm]:**

14

**26. Independent heating zones:**

Separate control for upper and lower heating elements

**27. Interior lighting:**

Yes

**28. Number of cavities:**

2